

32-1063 REV 0



Series STA Torque Tool Testers present a simple, yet accurate solution for testing hand operated torque screwdrivers, wrenches, and other tools. Applications exist in manufacturing facilities in virtually every industry. The STA features a solid aluminum housing, making it rugged enough for many years of service in production or laboratory use, while a universal receptacle accepts common bits and attachments. The STA captures peak torque in both clockwise and counterclockwise directions. Note: The STA cannot be used with power, impact or air tools.

Features

Universal receptacle	Accepts many types of torque tools and fixtures
Peak memory	For clockwise and counterclockwise torque
Selectable units of measurement	Measure in lbFin, kgFmm, or Ncm
Data outputs	RS-232 and Mitutoyo (Digimatic)
Push-button	Simple and quick calibration procedure
calibration	

Optional Equipment

Bench mounting bracket ST001	Allows the STA to be mounted securely on a bench.
Carrying case ST002	Hard plastic carrying case with custom molded inserts allows for safe storage and easy transportation. Provides storage space for the STA tester, ST001 mounting bracket, AC adapter, and accessories.
Output cables	Choice of RS-232 and Mitutoyo data output cables are available



Optional bench mounting bracket



Optional carrying case

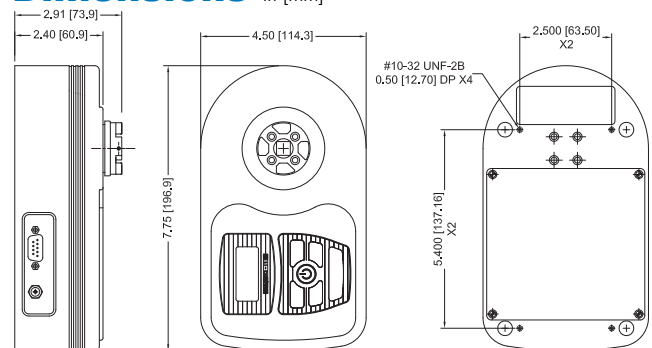
Specifications

Accuracy:	±0.5% of full scale ±1 digit
Power:	AC or non-rechargeable 9V battery, with Intelligent Power Management System (IPM). IPM warns the user via a "LO BAT" indicator and then will power off the gauge.
Battery Life:	30 hours of continuous use
Selectable units of measurement:	lbFin, kgFmm, Ncm
Outputs:	Optional
RS-232	Fully configurable up to 9600 baud
Mitutoyo (Digimatic)	Serial BCD suitable for all Mitutoyo SPC-compatible devices
Safe overload:	150% of full scale (display shows "----" at 110% and above)
Weight:	4.8 lb [2.2 kg]
Environmental Requirements:	40° F - 100° F [5°C - 45°C], <96% humidity (non-condensating)
Thermal effects:	Zero: 0.03% of full scale/°C, Span: 0.01% of full scale/°C
Housing construction:	Aluminum
Warranty	3 years (see individual statement for further details)

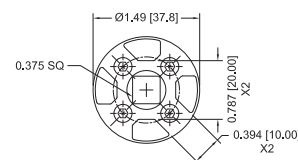
Dimensions in [mm]



Simply place the torque tool into the universal receptacle and twist. The readout will show the torque value in the clockwise or counterclockwise direction.



RECEPTACLE TOP VIEW:



Ordering Information

Model No.	Capacity x Resolution
STA12	12 x 0.01 lbFin, 140 x 0.1 kgFmm, 135 x 0.1 Ncm, 110V
STA50	50 x 0.05 lbFin, 580 x 0.5 kgFmm, 570 x 0.5 Ncm, 110V
STA100	100 x 0.1 lbFin, 1150 x 1 kgFmm, 1150 x 1 Ncm, 110V
ST001	Bench mounting bracket for STA
ST002	Carrying case for STA

All models include 110V AC adapters. Add suffix 'E' for euro plug (220V), 'U' for UK plug (220V), or 'A' for Australian plug (220V).

Ex: STA12E, STA50U, STA100A